

Keiren Spalding

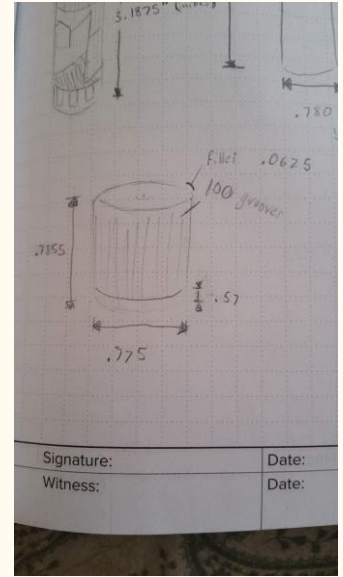
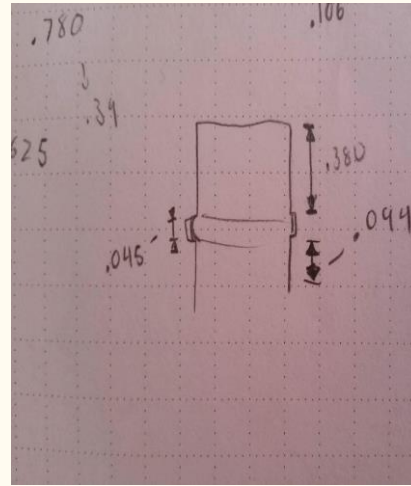
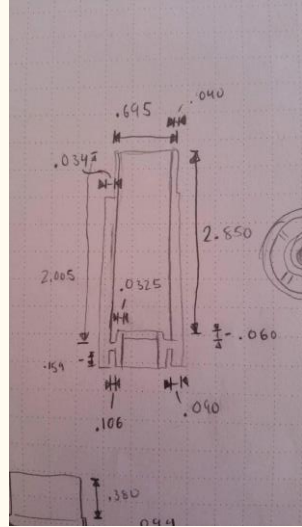
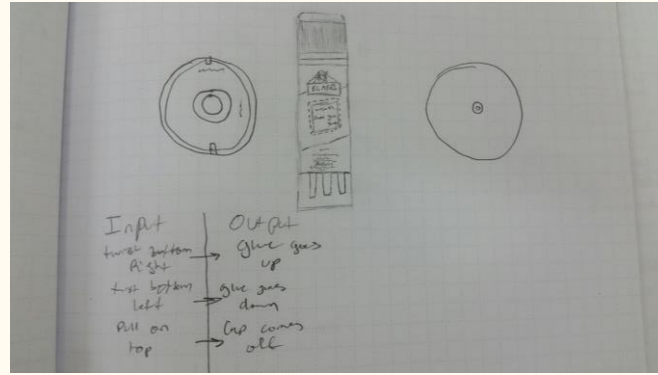
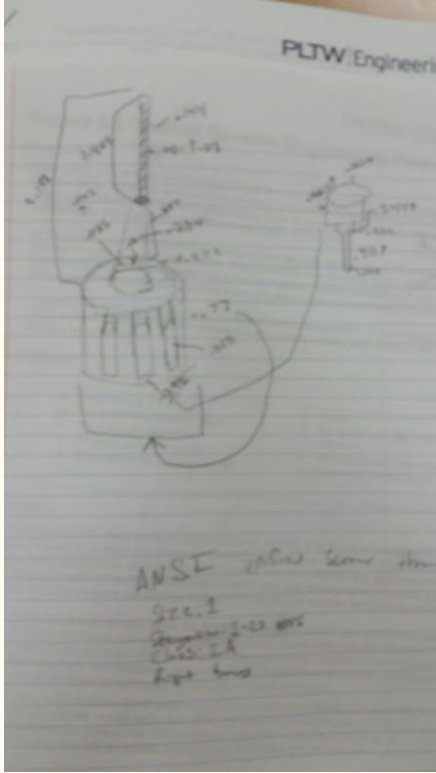
Emily Tschirhart

Reverse Engineering

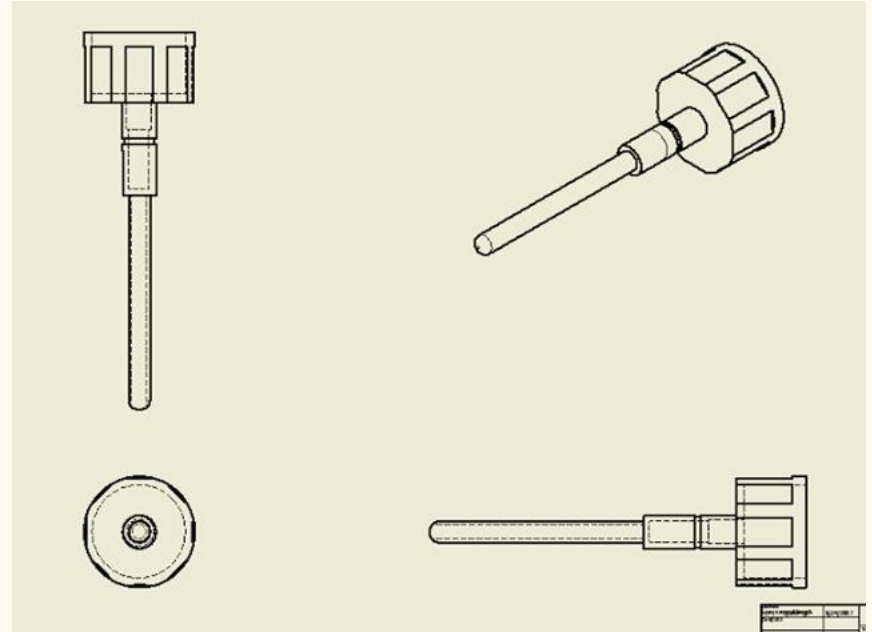
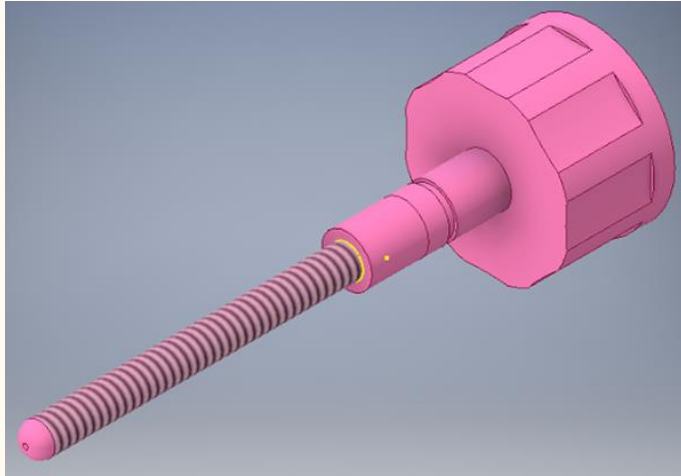
Glue Stick



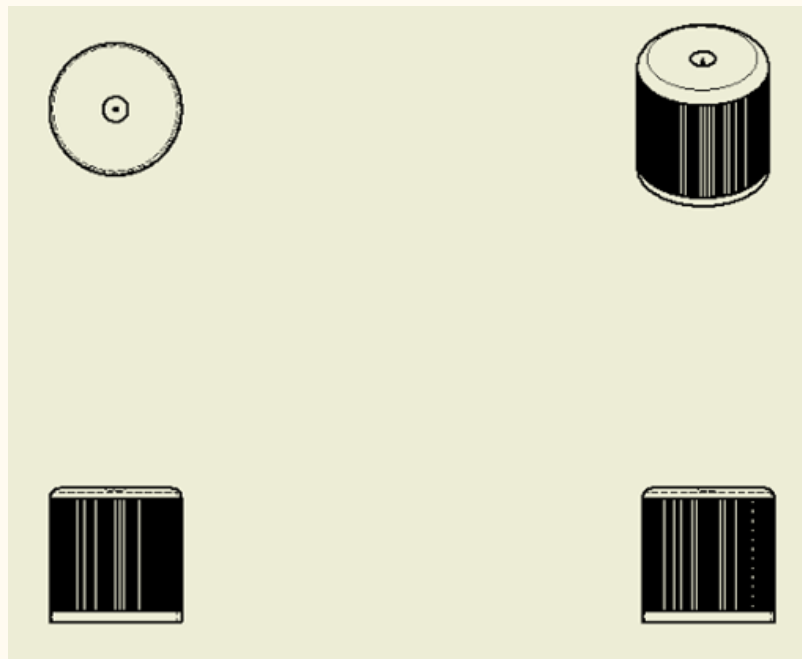
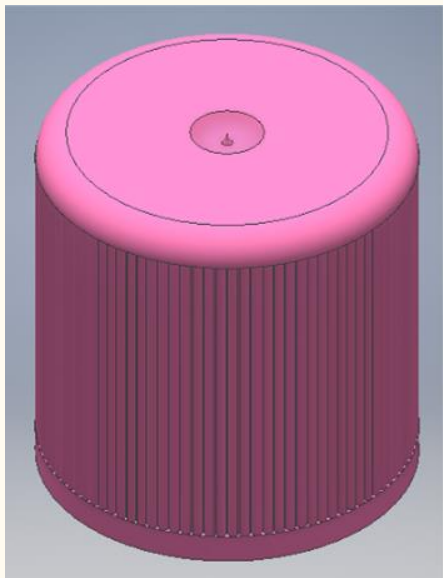
Visual Analysis



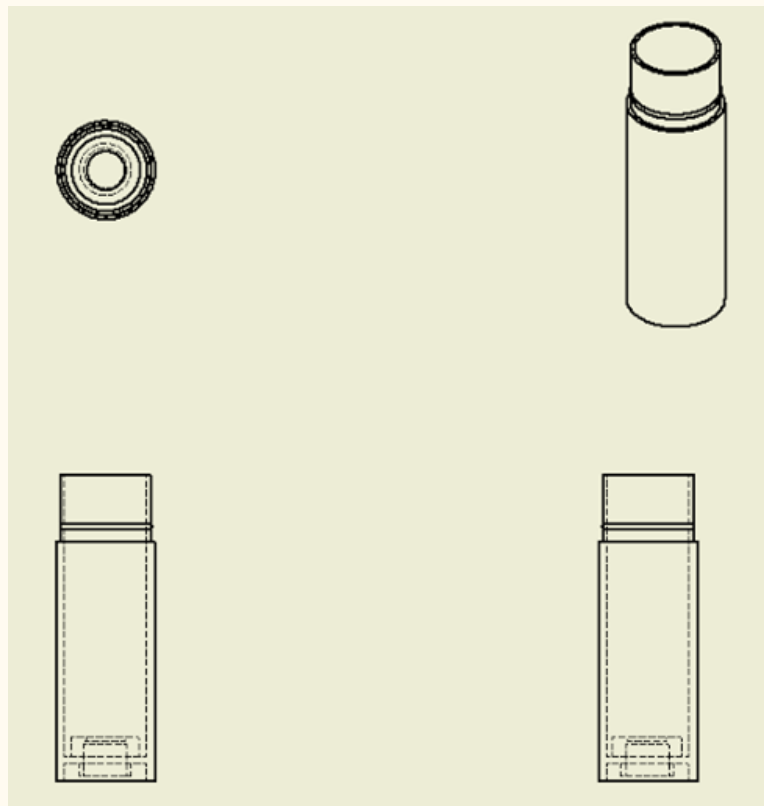
Glue Screw



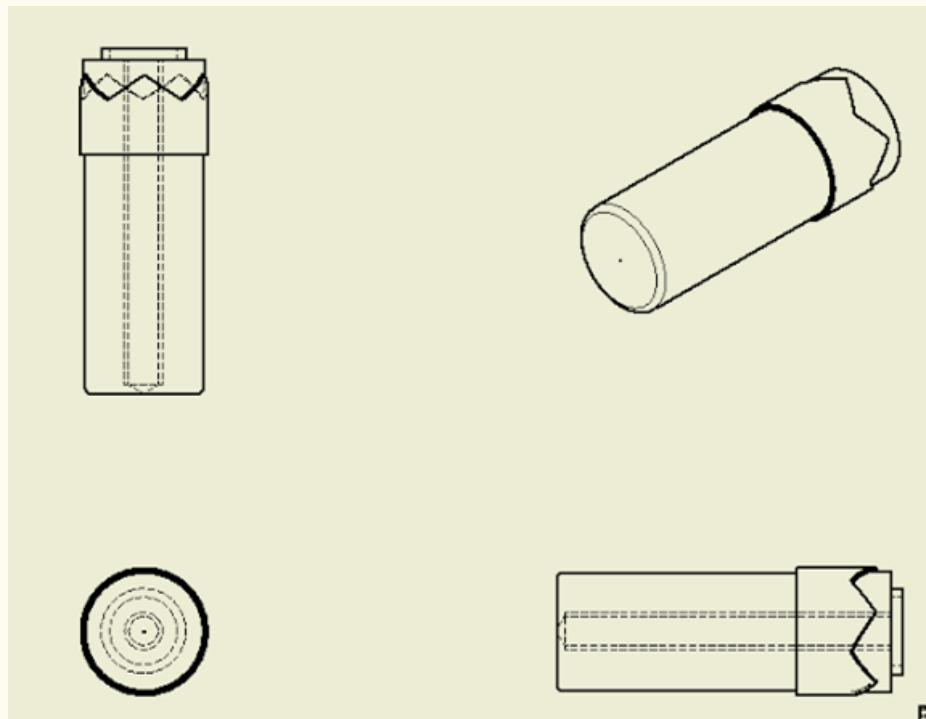
Glue Cap



Glue Body



Glue



Assembly Video

<https://youtu.be/v9ggP8r7lc4>

Conclusion

1. You can use disassembly to learn how to build a mechanism by seeing how the parts come together.
2. If you know the mass of the object you know what materials to make the parts out of so it will work.
3. So you can be able to describe your part design to the manufacturer or so you can act as the designer to make a specific part.
4. You can use the screw mechanism to raise parts of other machines.